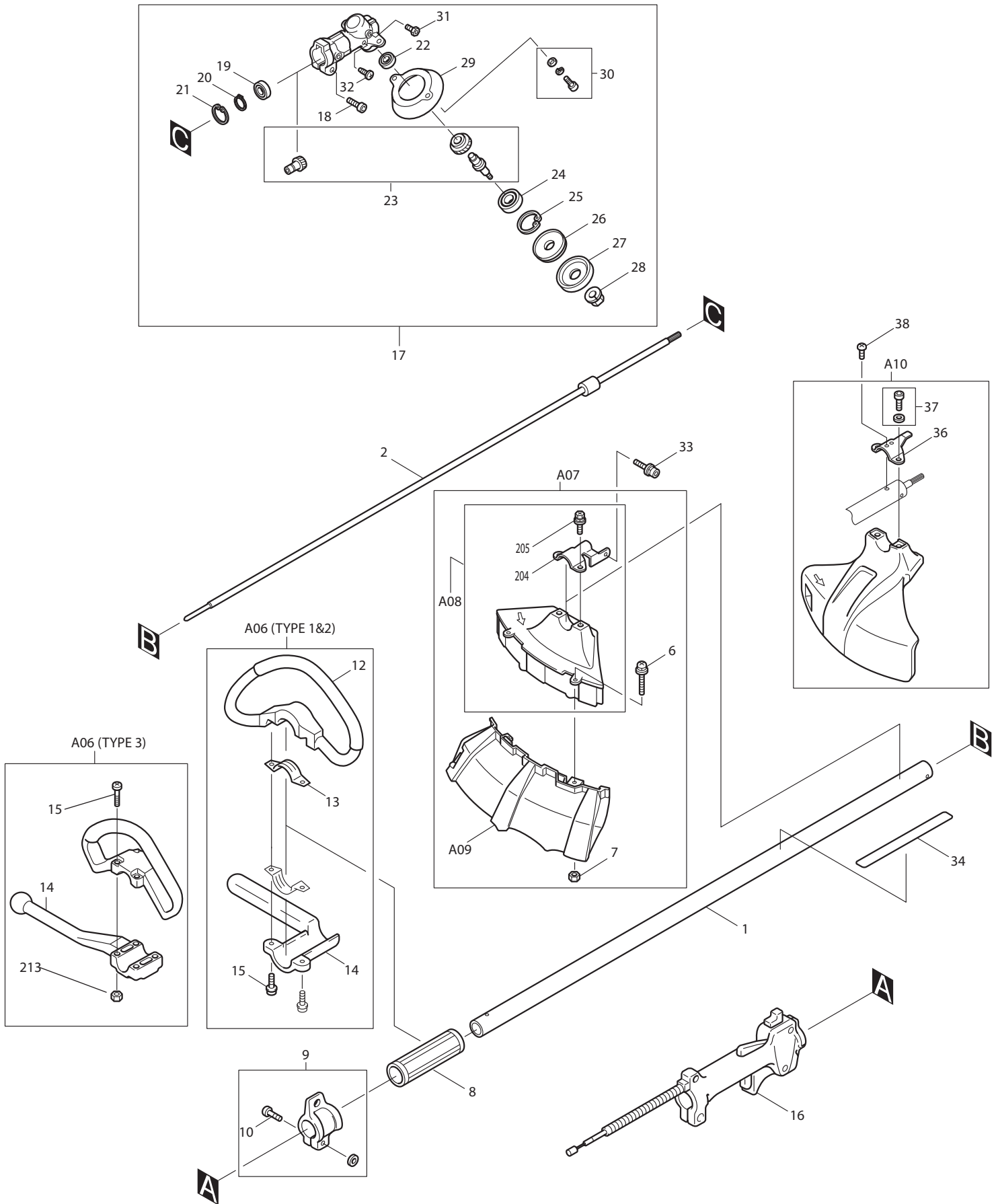
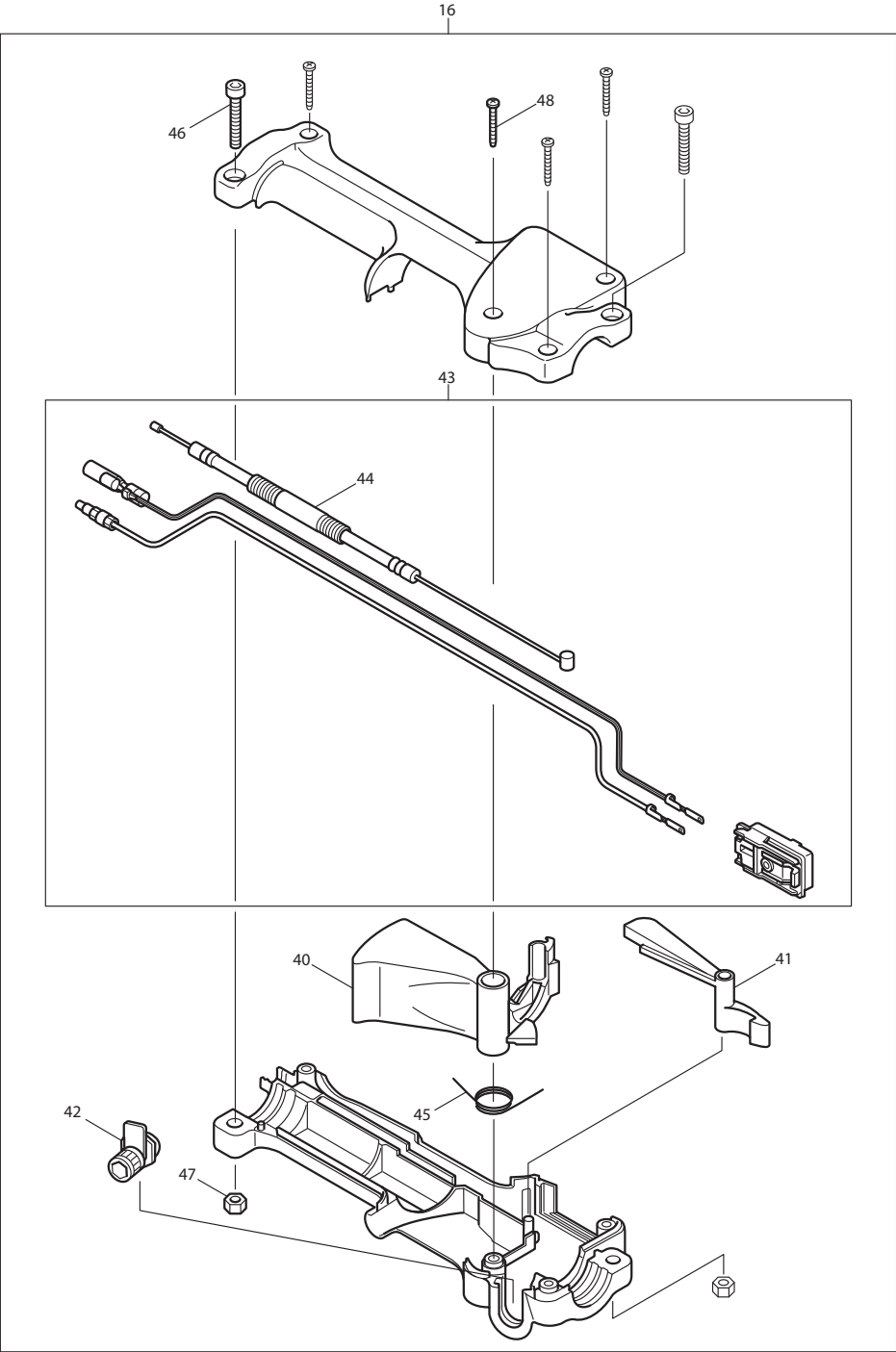


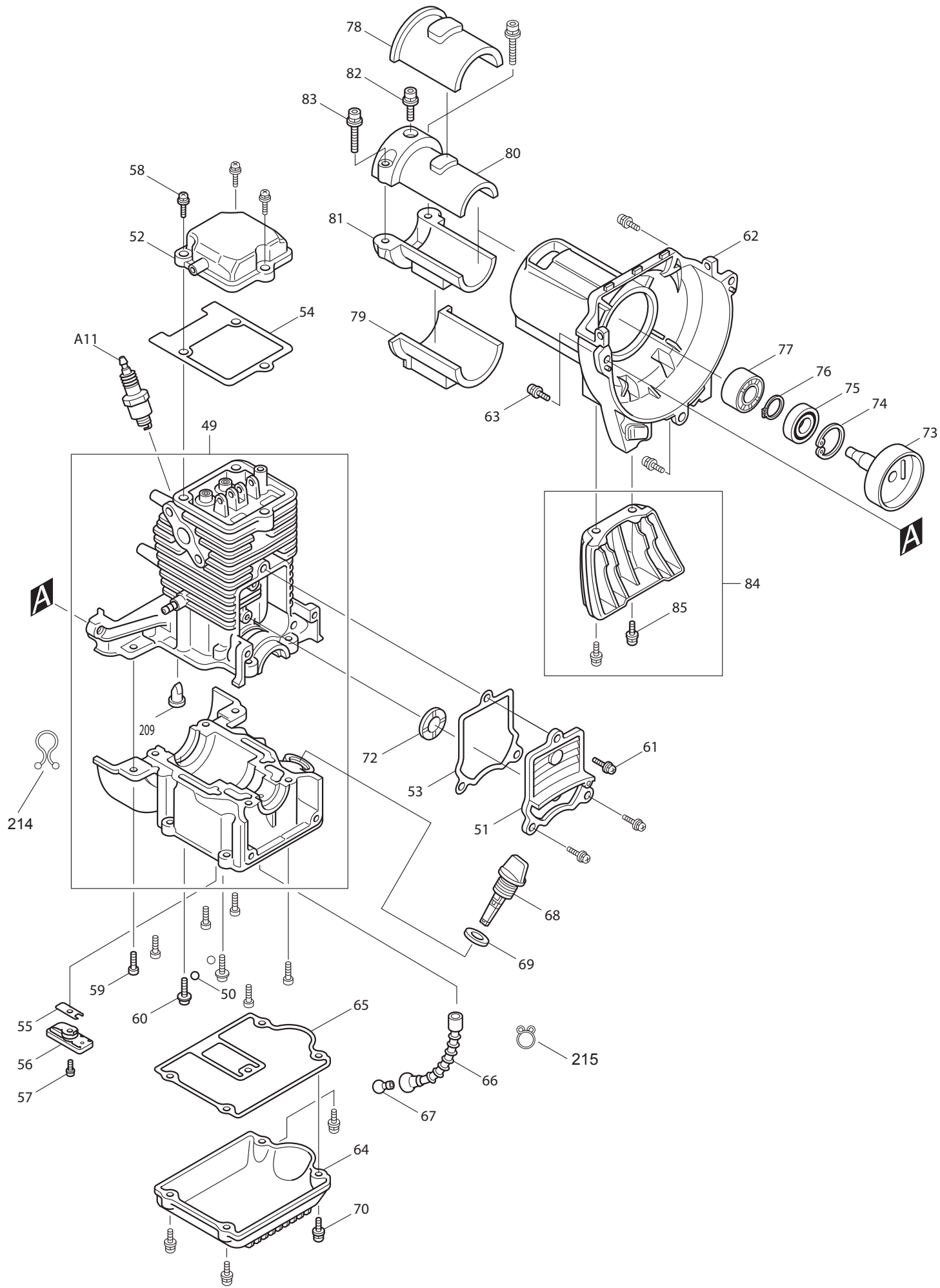


10 - 2010  
EM4251, EM4251CA  
4 STROKE LINE TRIMMER

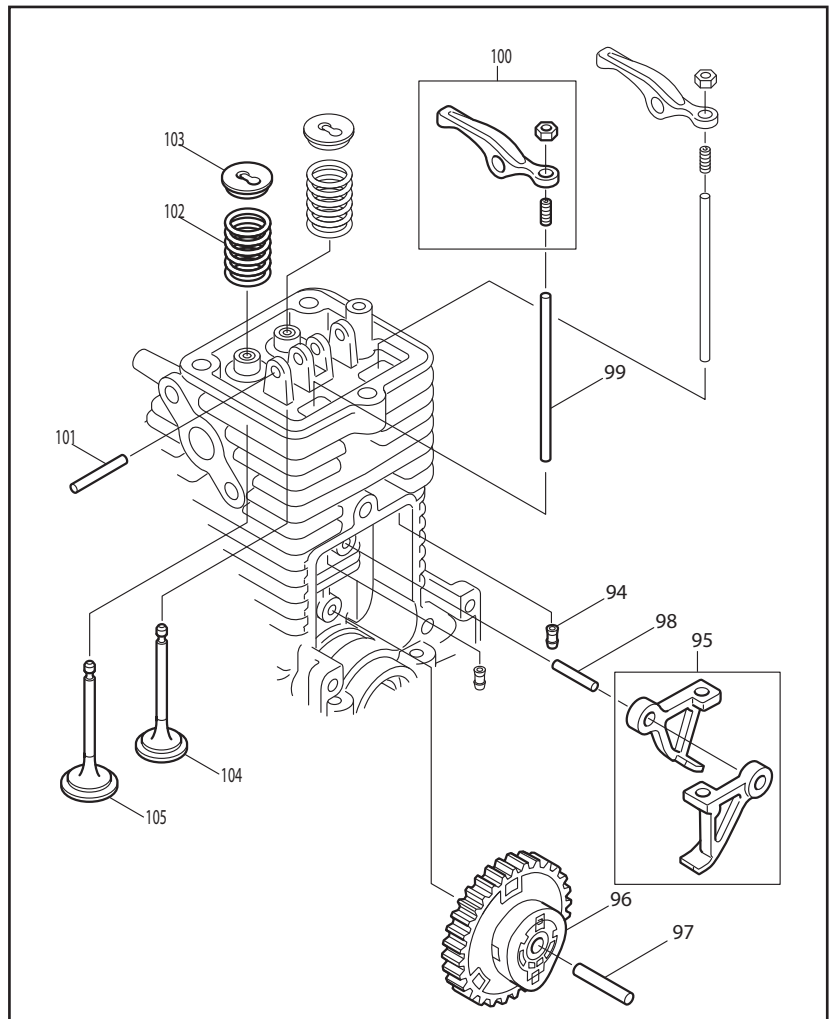
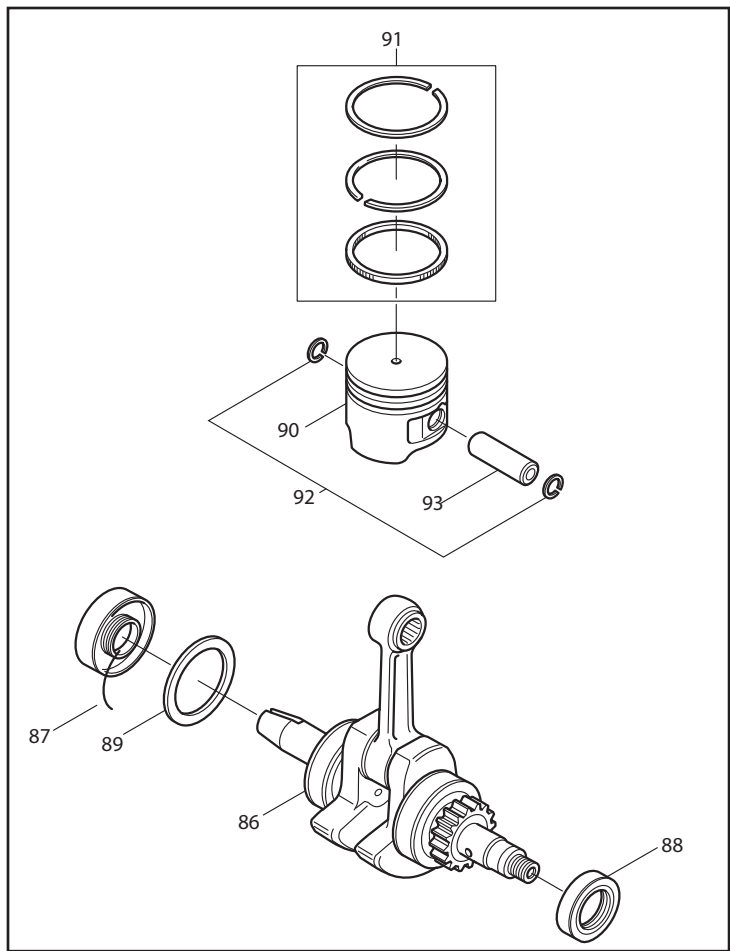


**Part No. 6245003000 (Item No. 16)**  
**CONTROL LEVER ASSEMBLY**

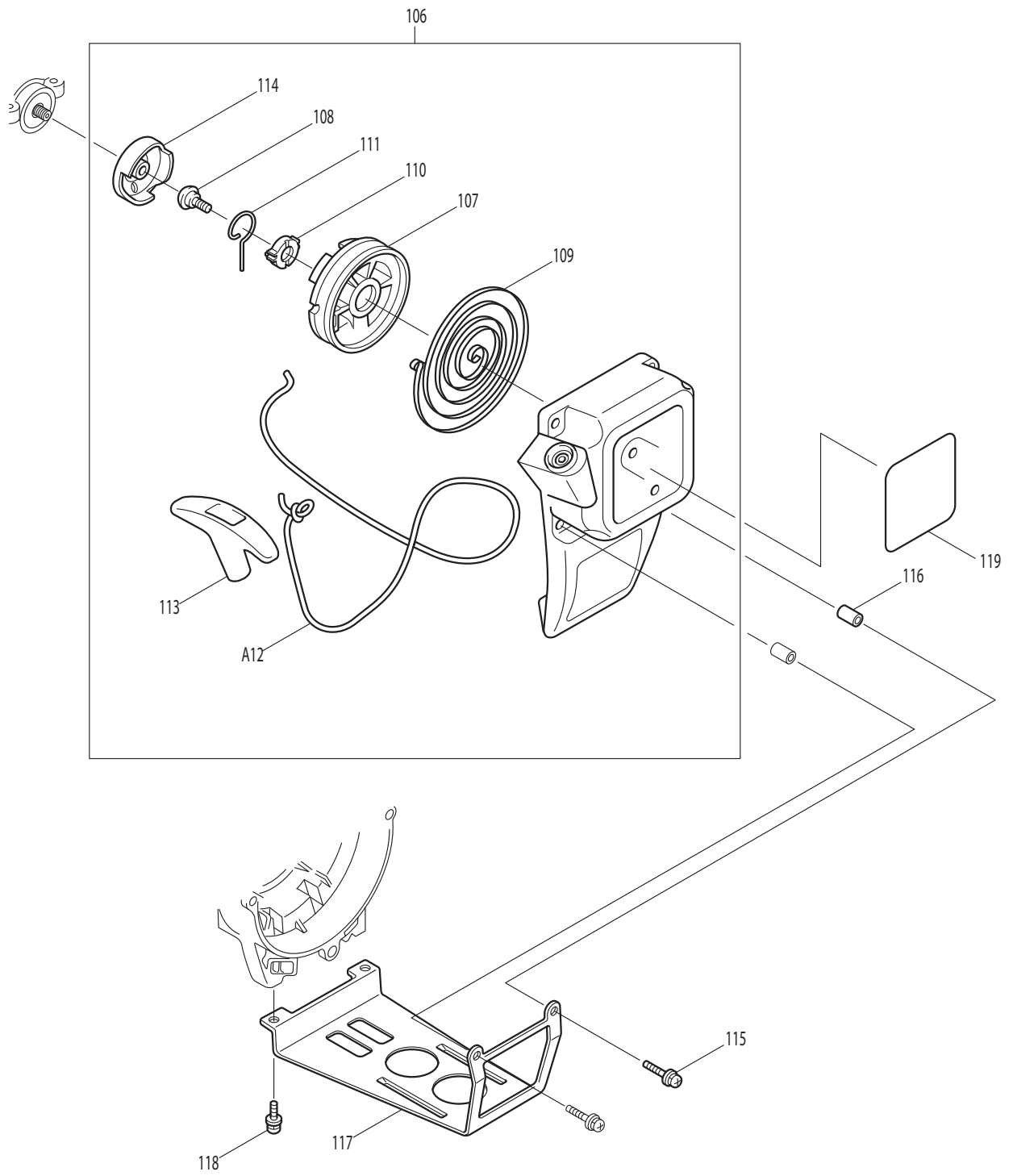


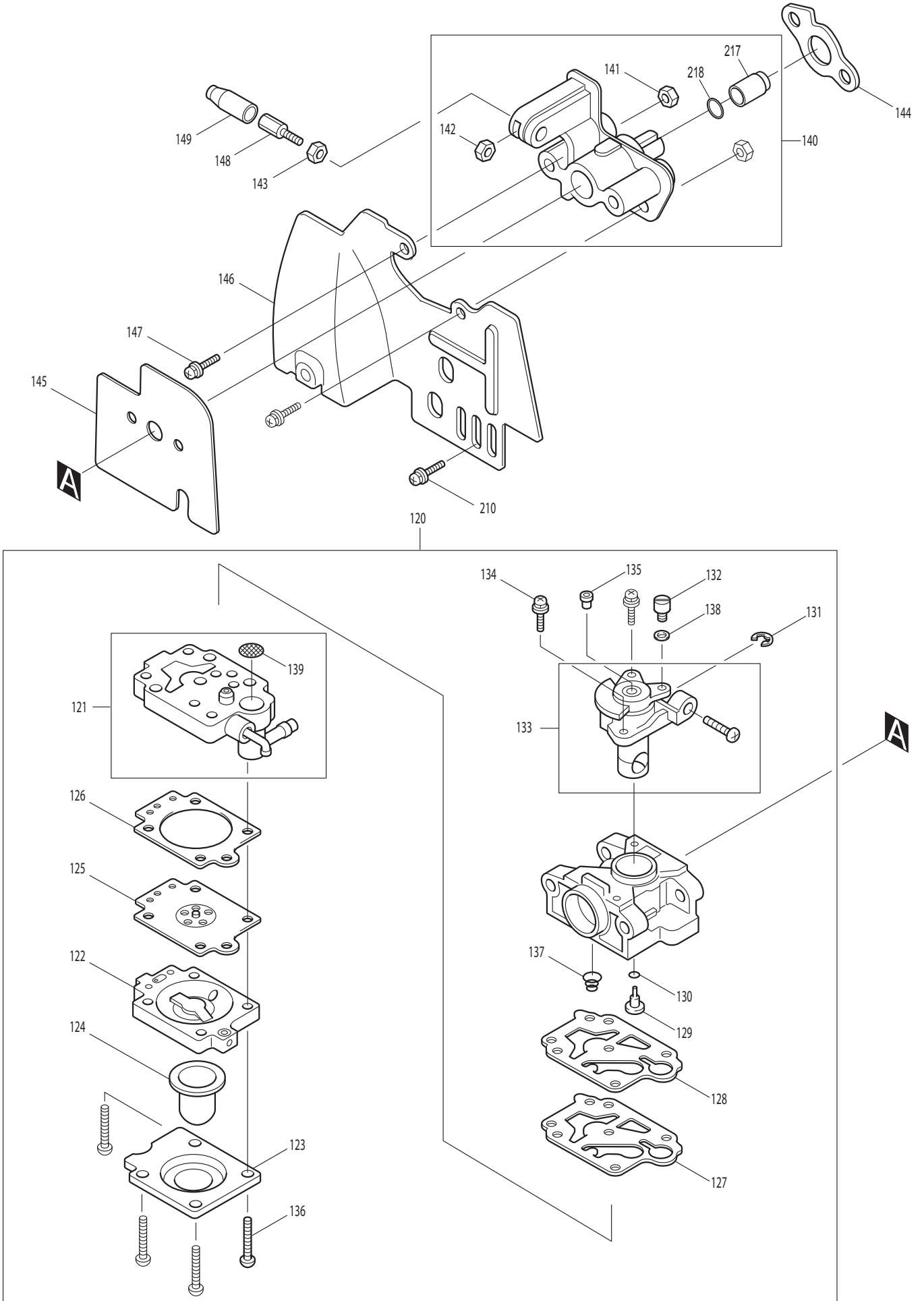


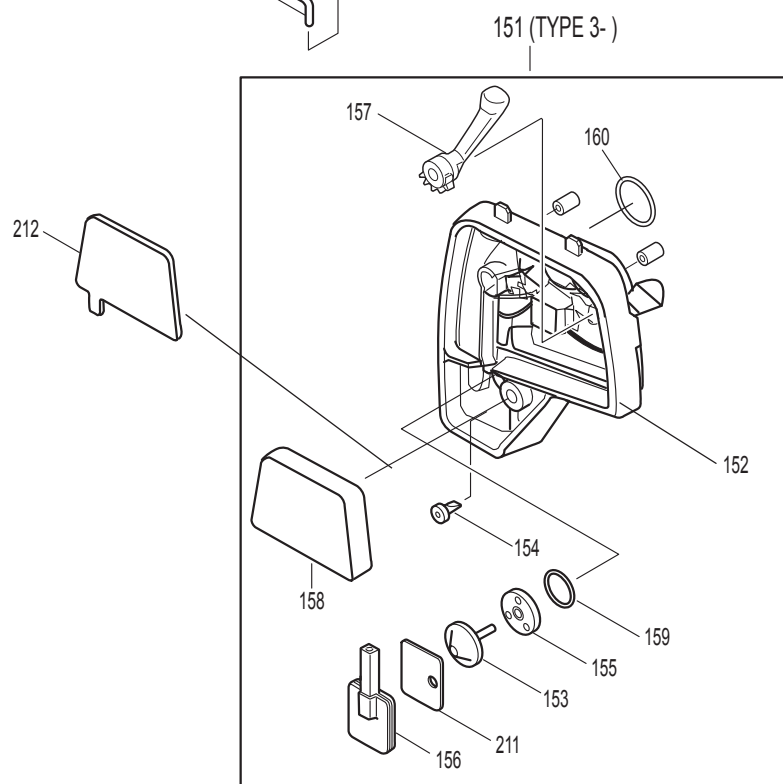
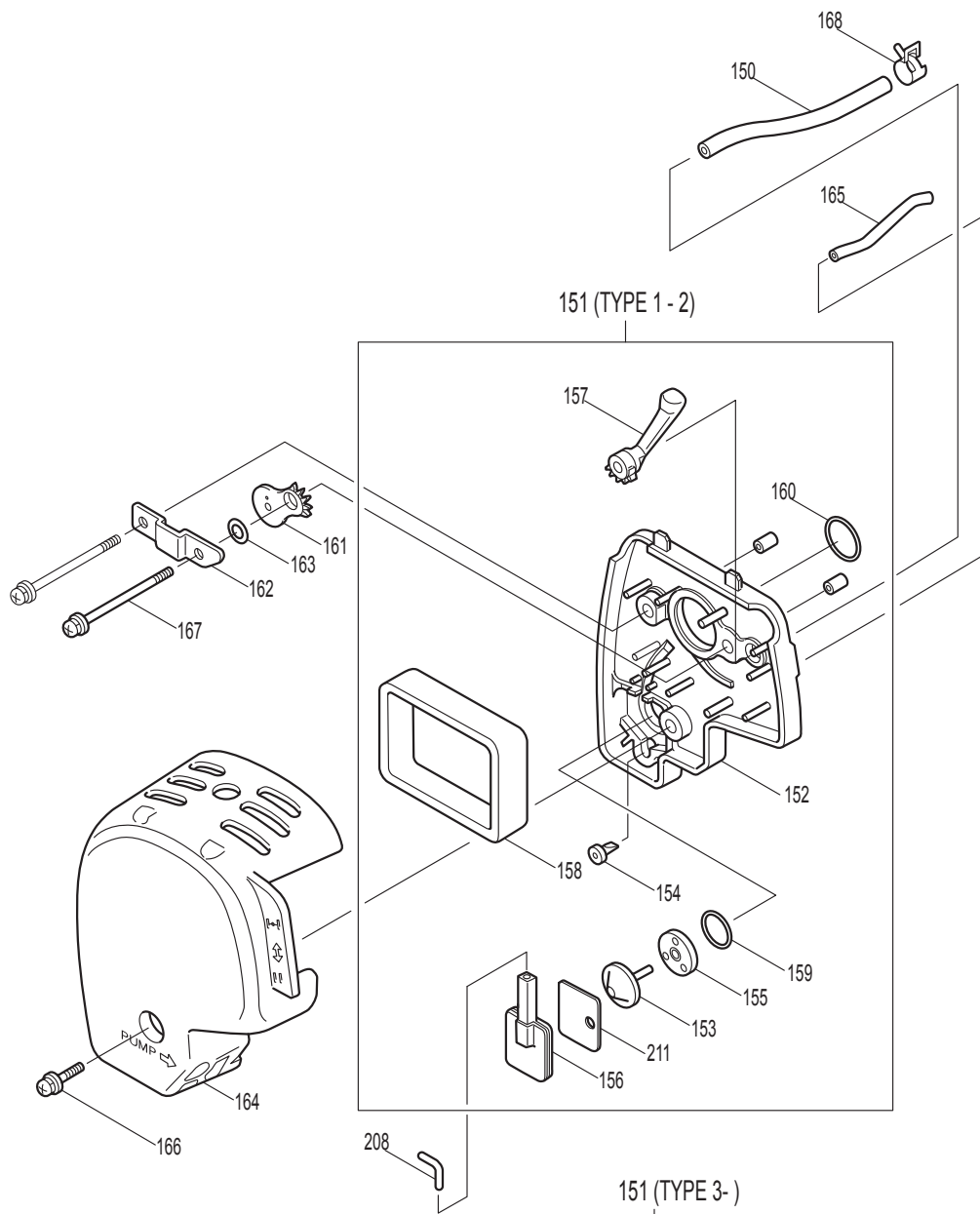
3 MODEL EM4251, EM4251CA

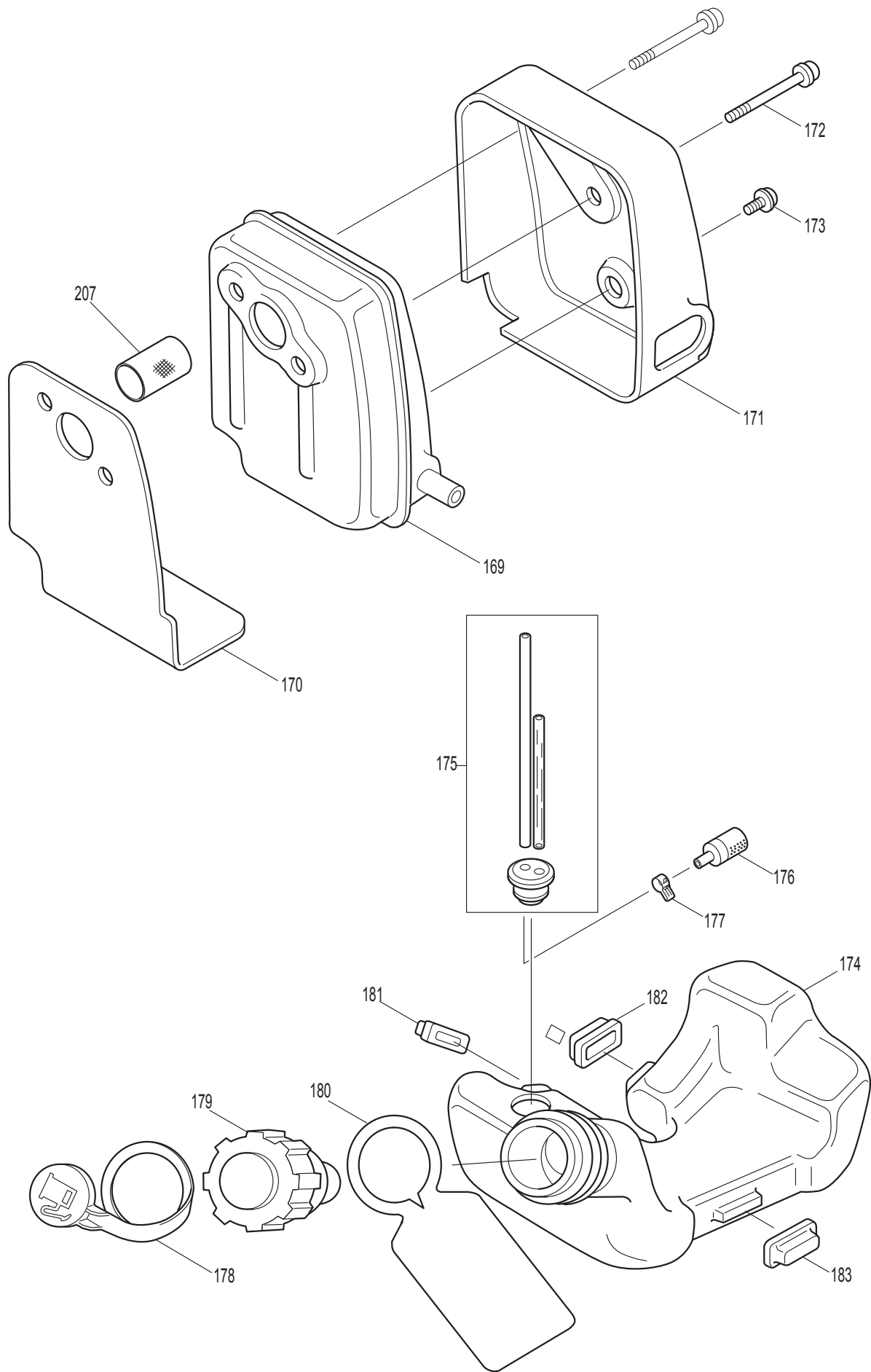


4 MODEL EM4251, EM4251CA

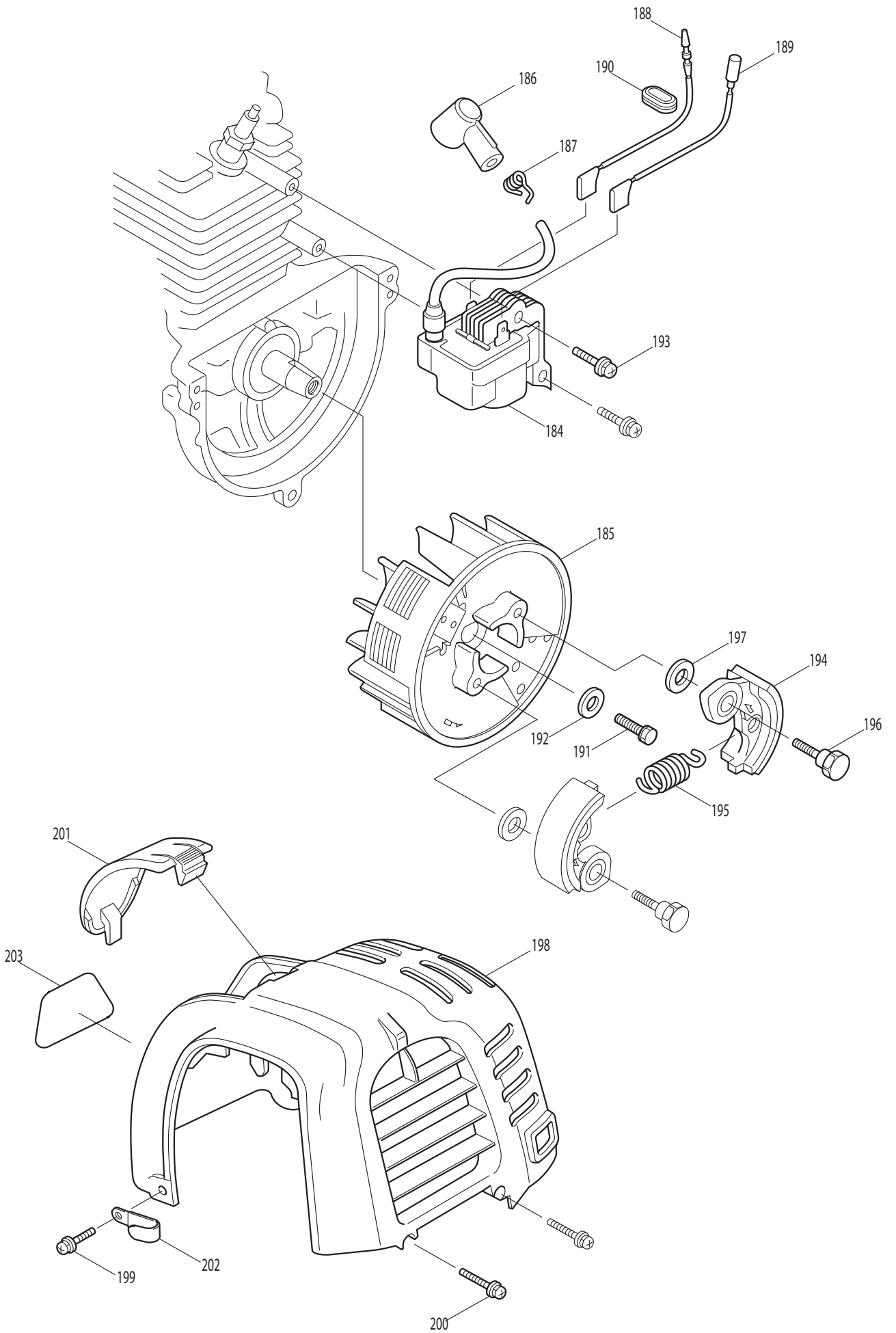












Item No	Type	Ref	Part No	Description	Qty	Unit
1			6241003000	SHAFT PIPE COMPLETE	1	PC.
2	1		6191500400	SHAFT - N/L/A	1	PC.
	2		6191500401	SHAFT	1	PC.
6			0043605400	P.H.SCREW M5X40	2	PC.
7			002-18050-00	NUT	2	PC.
8			6271501501	SPACER (OLD#6271501500 -N/L/A)	1	PC.
9			6254019000	HANGER ASS'Y	1	PC.
		INC.		Item No. 10	1	PC.
10			0043605200	SCREW & WASHER ASS'Y	1	PC.
12			6274004010	* LOOP HANDLE (OLD)	1	PC.
13			6214014010	* GUARD STAY (OLD)	2	PC.
14	1		6274004020	* LOOP HANDLE BAR (TYPE 1 - 2)	1	PC.
	3		6214016020	* HANDLE HOLDER (TYPE 3)	1	PC.
15	1		6274004040	* SOCKET HEAD BOLT M6X20	2	PC.
	2		6274004041	* SOCKET HEAD BOLT M6X18	2	PC.
	3		6214016030	* SCREW	4	PC.
16			6245003000	CONTROL LEVER ASS'Y	1	PC.
		INC.		Item No. 40-48	1	PC.
17	1		6213017003	GEAR CASE ASS'Y	1	PC.
		INC.		Item No. 18-32	1	PC.
	2		6243006002	CASE,GEAR ASSY	1	PC.
		INC.		Item No. 18-32	1	PC.
18			0119059890	SOCKET HEAD BOLT M5X25	1	PC.
19			6212500300	BALL BEARING #609ZZ	1	PC.
20	1		0031508000	OUTER SNAP RING (TYPE 1, For #6213017003)	1	PC.
	2		6193006120	OUTER SNAP RING (TYPE 2, For #6243006002)	1	PC.
21			0031424000	INNER SNAP RING	1	PC.
22			0600069990	BALL BEARING 626ZZ	1	PC.
23	1		6213021001	CUTTER SHAFT SET (TYPE1, For #6213017003)	1	PC.
	2		6243008002	CUTTER SHAFT SET (TYPE2, For #6243006002)	1	PC.
24			0600109910	BALL BEARING 6000DDU	1	PC.
25			0031426000	INNER SNAP RING	1	PC.
26			6218501601	RECEIVE WASHER	1	PC.
27	1		6218003000	CLAMP COMPL. WASHER (TYPE 1 - N/L/A)	1	PC.
	2		6218003001	CLAMP COMPL. WASHER (TYPE 2)	1	PC.
28			6258505001	NUT W/SPRING WASHER	1	PC.
29			6218500200	GUARD	1	PC.
30	1		0119059780	SOCKET HEAD BOLT M5X12, W/W&SW (TYPE 1, For #6213017003)	2	PC.
	2		0140059390	SCREW ASSEMBLY (TYPE2, For #6243006002)	2	PC.
31			6253011012	OIL BOLT M6X9	1	PC.
32			0043105060	PAN HEAD SCREW	1	PC.
33			0119059490	SOCKET HEAD BOLT M5X14	1	PC.
34			6249502401	CAUTION LABEL (OLD# 6249502400 - N/L/A)	1	PC.
36			6418500303	PROTECTOR CLAMP	1	PC.
37			0011706300	BOLT M6X30	2	PC.
38			0150059940	TAPPING SCREW	1	PC.
40			6195006030	LEVER	1	PC.
41			6215023060	LEVER	1	PC.
42			6215023050	ADJUST COMPLETE	1	PC.
43			6245003010	WIRE SET	1	PC.
		INC.		Item No. 44	1	PC.
44			6245003020	WIRE COMPLETE	1	PC.
45			6195006050	SPRING	1	PC.
46			0119059720	SOCKET HEAD BOLT M5X20	2	PC.
47			6415011160	NUT	2	PC.

Item No	Type	Ref	Part No	Description	Qty	Unit
48			6195006060	TAPPING SCREW M4X20	4	PC.
49			5921024000	* CYLINDER BLOCK SET	1	PC.
50			5921501200	* BALL (OLD) - N/L/A	2	PC.
51			5921500502	CAMGEAR COVER	1	PC.
52	1		5921004000	ROCKER COVER COMPLETE - N/L/A	1	PC.
	2		5921004001	ROCKER COVER COMPLETE	1	PC.
53			5921500700	CAMGEAR COVER GASKET	1	PC.
54			5921500800	ROCKER COVER GASKET	1	PC.
55			5921501000	REED VALVE	1	PC.
56			5921501100	RETAINER PLATE	1	PC.
57			0119049980	SOCKET HEAD BOLT M4X10	1	PC.
58	1		004-36051-60	SCREW ASS'Y M5X16 (W,SW)	3	PC.
	2		0119059531	SOCKET HEAD BOLT M5X16(WSW)	3	PC.
59			0119059510	SOCKET HEAD BOLT M5X14	6	PC.
60	1		0119059500	SOCKET HEAD BOLT M5X30 (W)	2	PC.
	2		0119059510	SOCKET HEAD BOLT M5X14	2	PC.
61	1		0043605140	SCREW ASS'Y M5X14	3	PC.
	2		0119059510	SOCKET HEAD BOLT M5X14	3	PC.
62			6241500203	CLUTCH CASE	1	PC.
63	2		0140059350	SCREW ASS'Y M5X18 (W,SW)	3	PC.
	3		0119059470	SOCKET HEAD BOLT M5X16	3	PC.
64			5926500000	OIL CASE	1	PC.
65			5926500100	CASE GASKET	1	PC.
66			5926500200	OIL TUBE	1	PC.
67			5926500300	OIL WEIGHT	1	PC.
68			5926500600	OIL GAUGE	1	PC.
69	1		0213160020	GASKET 16DX23X1.2T	1	PC.
	2		0213169990	GASKET	1	PC.
70	1		0043605180	SCREW ASS'Y M5X18	4	PC.
	2		0119059510	SOCKET HEAD BOLT M5X14	4	PC.
72			5923503800	* WASHER (OLD) - N/L/A	1	PC.
73			6242003000	CLUTCH DRUM COMPLETE	1	PC.
74			0031432000	INNER SNAP RING	1	PC.
75			0600129950	BALL BEARING #6201DD/#6201 2RU	1	PC.
76			0031512000	OUTER SNAP RING	1	PC.
77			6241500300	SPACER	1	PC.
78			6241500401	PIPE DAMPER 1	1	PC.
79			6241500501	PIPE DAMPER 2	1	PC.
80			6241500601	PIPE BRACKET 1	1	PC.
81			6241500701	PIPE BRACKET 2	1	PC.
82			0119059900	SOCKET HEAD BOLT M5X12, W/SW	1	PC.
83			0119059950	SOCKET HEAD BOLT M5X18, W/SW	2	PC.
84			5219002000	STAND SET	1	PC.
		INC.		Item No. 85	1	PC.
85			0140059480	SCREW ASS'Y M5X14, W/W&SW	2	PC.
86			5922003000	CRANK SHAFT ASS'Y	1	PC.
87			0440129960	OIL SEAL (L)	1	PC.
88			0440109970	OIL SEAL (S)	1	PC.
89			5421500500	CLIP	1	PC.
90			5922500900	PISTON	1	PC.
91			5922004000	PISTON RING SET	1	PC.
92			0565089970	CLIP	2	PC.
93			5232502600	PISTON PIN	1	PC.
94			5921501400	SPACER	2	PC.
95			5923500001	CAM LIFTER	2	PC.
96			5933003000	* CAM GEAR ASS'Y	1	PC.

Item No	Type	Ref	Part No	Description	Qty	Unit
97			5923500501	CAM GEAR SHAFT	1	PC.
98			5923500600	CAM LIFTER SHAFT	1	PC.
99			5923500700	PUSH ROD	2	PC.
100			5933002000	* ROCKER ARM ASS'Y	2	PC.
101			5933500100	* ROCKER SHAFT	1	PC.
102			5923501200	VALVE SPRING	2	PC.
103			5923501300	SPRING RETAINER	2	PC.
104			5923501400	EXHAUST VALVE	1	PC.
105			5923501500	INTAKE VALVE	1	PC.
106			5925001002	STARTER COVER ASS'Y	1	PC.
		INC.		Item No. 107-114	1	PC.
107			5925001030	REEL	1	PC.
108			5195002060	SET SCREW	1	PC.
109			5215002030	SPIRAL SPRING	1	PC.
110			5195002110	COLLAR	1	PC.
111			5195002100	SWING ARM	1	PC.
113			5225004020	HANDLE	1	PC.
114			5195500000	PULLEY	1	PC.
115			0043604250	SCREW ASS'Y M4X25	2	PC.
116			0230049940	SPACER	2	PC.
117			5929500800	TANK GUARD	1	PC.
118			0043605100	SCREW ASSEMBLY	2	PC.
119			6249501101	MODEL LABEL	1	PC.
120			5926009000	* CARBURETOR	1	PC.
		INC.		* Item No. 121-124,125,126-128,129, 130-132, 134, 136-138	1	PC.
121	1		5926002060	PUMP BODY ASS'Y	1	PC.
		INC.		Item No. 139	1	PC.
	2		5926002140	PUMP BODY ASS'Y	1	PC.
		INC.		Item No. 139	1	PC.
122			5236046140	* AIR PURGE BODY ASS'Y	1	PC.
123			5236046050	PRIMER PUMP COVER	1	PC.
124			5246001150	PRIMER PUMP	1	PC.
125			5926008010	METERING DIAPHRAGM ASS'Y	1	PC.
126			5236046040	METERING DIAPHRAGM GASKET	1	PC.
127			5246001040	PUMP DIAPHRAGM	1	PC.
128			5926002040	PUMP GASKET	1	PC.
129			5196002020	* JET	1	PC.
130			5246001010	O RING	1	PC.
131			5316005120	RING	1	PC.
132			5236018040	SWIVEL	1	PC.
134	1		5206008030	PAN HEAD SCREW	2	PC.
	2		WJ00096364	SCREW M3X8 WITH WASHER	2	PC.
136			5236046010	PUMP COVER SCREW	4	PC.
137			5926002020	PUMP SPRING	1	PC.
138			5426005030	WASHER	1	PC.
139			5016004010	INLET SCREEN	1	PC.
140			5923016000	* INSULATOR COMPLETE	1	PC.
141			002-17050-00	* NUT M5 (OLD)	2	PC.
142			002-27060-00	* NUT M6 (OLD)	1	PC.
143			002-27060-00	* NUT M6 (OLD)	1	PC.
144			5923504700	* INSULATOR GASKET	1	PC.
145	1		5923501900	CARBURETOR GASKET	1	PC.
	2		5923504000	CARBURETOR GASKET	1	PC.
146			5923502000	* CARBURETOR INSULATOR	1	PC.
147	1		0043605180	SCREW ASS'Y M5X18	2	PC.
	2		0119059870	SOCKET HEAD BOLT M5X18	2	PC.

Item No	Type	Ref	Part No	Description	Qty	Unit
148			0149069972	ADJUST SCREW	1	PC.
149			5246004150	CAP	1	PC.
150			5921500900	BREATHER PIPE	1	PC.
151			5933001000	* CLEANER PLATE ASS'Y	1	PC.
		INC.		Item No. 152-160	1	PC.
152			5933005000	* AIR CLEANER PLATE COMPLETE	1	PC.
153			5316500701	CHECK VALVE	1	PC.
154			5923502400	CHECK VALVE (1)	1	PC.
155			5923502500	CHECK VALVE PLATE	1	PC.
156			5933501600	* SEPARATOR PLATE (OLD 5923503300 - N/L/A)	1	PC.
157			5923502200	CHOKE LEVER	1	PC.
158			5933501200	* AIR CLEANER ELEMENT	1	PC.
159			0240139970	O RING P14	1	PC.
160			0240159990	O RING P15	1	PC.
161	1		5923502300	CHOKE PLATE	1	PC.
	2		5923502301	CHOKE PLATE	1	PC.
162			5923502600	PLATE	1	PC.
163			0213069990	GASKET	1	PC.
164			5933500800	* AIR CLEANER COVER	1	PC.
165			5923503001	PIPE	1	PC.
166			0140059480	SCREW ASS'Y M5X14, W/W&SW	1	PC.
167			5923503100	SCREW M5X68 (W,SW SUS)	2	PC.
168			0561080010	HOSE CLAMP	1	PC.
169			5923001000	EXHAUST MUFFLER	1	PC.
170			5923501601	MUFFLER GASKET	1	PC.
171			5923503400	MUFFLER COVER	1	PC.
172			0119059520	SOCKET HEAD BOLT M5X40	2	PC.
173			0140059962	SCREW M5X6 (USE 014-00599-62)	1	PC.
173			014-00599-62	SCREW M5X6	1	PC.
174			5926500400	FUEL TANK	1	PC.
175			5926003000	TUBE	1	PC.
176			5236503900	FILTER	1	PC.
177			0561059990	HOSE CLAMP	1	PC.
178			5926012000	* FUEL TANK CAP	1	PC.
179			5256067000	* STRAP	1	PC.
180			6249501501	STRAP	1	PC.
181			5036500200	PLATE	1	PC.
182			5036500300	PLATE	1	PC.
183	1		5196500301	DAMPER	1	PC.
	2		5196500302	DAMPER	1	PC.
184	1		5927001010	IGNITION COIL	1	PC.
	2		5927012010	IGNITION COIL	1	PC.
	3		5927012011	IGNITION COIL	1	PC.
185	1		5927001020	FLYWHEEL	1	PC.
	2		5927001021	FLYWHEEL	1	PC.
186			5927500100	PLUG CAP	1	PC.
187			0654009931	PLUG CAP SPRING (USE 065-40099-31)	1	PC.
187			065-40099-31	PLUG CAP SPRING	1	PC.
188			5927003000	WIRE COMPLETE	1	PC.
189			5257018001	WIRE COMPLETE	1	PC.
190			5257500300	* GROMMET (OLD)	1	PC.
191			0011306160	BOLT ASS'Y	1	PC.
192			0031206000	WASHER	1	PC.
193	3		0119049970	SOCKET HEAD BOLT	2	PC.
194			5928500000	CLUTCH SHOE	2	PC.
195			5928500100	SPRING	1	PC.

Item No	Type	Ref	Part No	Description	Qty	Unit
196			5928500200	CLUTCH BOLT	2	PC.
197			5928500300	WASHER	2	PC.
198			5925500800	CYLINDER COVER	1	PC.
199			0043605100	SCREW ASSEMBLY	2	PC.
200			0043604160	SCREW M4X16(W,SW)	2	PC.
201			5927500000	PLUG COVER	1	PC.
202			0566059980	CLAMP	1	PC.
203			5929501001	TRADE MARK LABEL	1	PC.
204			6258508200	PROTECTOR CLAMP	1	PC.
205			0011706300	BOLT M6X30	2	PC.
207	1		5923008010	SPARK ARRESTER	1	PC.
	2		5923008011	SPARK ARRESTER	1	PC.
208			5923503900	* PIPE (OLD) - N/L/A	1	PC.
209			5921501800	* CHECK VALVE (ADDED)	2	PC.
210	1		0043605100	* SCREW ASSEMBLY	1	PC.
	2		0119059780	* SOCKET HEAD BOLT M5X12, W/W&SW	1	PC.
211			5923503500	* GASKET SEPARATOR	1	PC.
212			5933500900	* AIR CLEANER ELEMENT	1	PC.
213			002-27050-00	* NUT M5 (ADDED)	4	PC.
214			5926501300	* CLAMP (ADDED)	1	PC.
215			0561059970	* HOSE CLAMP (ADDED)	1	PC.
217			5923504600	* INTAKE PIPE (ADDED)	1	PC.
218	2		213078-6	* ORING 10 (ADDED)	1	PC.

#### **ACCESSORIES**

- See catalogue or visit [www.makita.ca](http://www.makita.ca) for more accessories information -

A01			6207003002	BAND ASS'Y	1	PC.
		INC.	6257500400	HOOK	1	PC.
A02	1		6418500701	CUTTER COVER	1	PC.
	2		6418027000	CUTTER COVER (2PC/SET)	1	SET
A03	1		6249006000	* TOOL SET (TYPE 1 - 2)	1	PC.
	3		6249000000	* TOOL SET (TYPE 3)	1	PC.
A04	1		0722105000	OIL BOTTLE	1	PC.
	2		0722104600	OIL BOTTLE	1	PC.
A05			B-60143	BUMP & FEED BF4L, NYLON CUTTING HEAD (LH)	1	PC.
			B-70275	SUPER AUTO HEAD 1X ASSY (LH) (OPTION)	1	PC.
A06			6214016000	* HANDLE SET	1	PC.
		INC.		Item No. 14,15, 213	1	PC.
A07	1		6258047002	PROTECTOR ASS'Y (F/LINE & BLADE)	1	PC.
		INC.		Item No. 6, 7, A08, A09	1	PC.
	2		6258060001	PROTECTOR ASS'Y (F/LINE & BLADE)	1	PC.
		INC.		Item No. 6, 7, A08, A09, A13	1	PC.
A08	1		6258050000	PROTECTOR ASS'Y (F/BLADE)	1	PC.
		INC.		Item No. 204, 205	1	PC.
	2		6258061001	PROTECTOR ASS'Y (F/BLADE)	1	PC.
		INC.		Item No. 204, 205	1	PC.
A09	1		6258049002	PROTECTOR COM.(F/LINE) )	1	PC.
	2		6258053001	PROTECTOR COM.(F/LINE) )	1	PC.
A10			6218008003	PROTECTOR ASS'Y	1	PC.
		INC.		Item No. 36,37	1	PC.
A11			0650109950	SPARK PLUG CMR6A	1	PC.
A12			5925001050	STARTER ROPE	1	PC.
A13			6258042002	PROTECTOR COM. (F/HARD CUTTER) - N/L/A	1	PC.

**SERVICE CHANGES:**

**1. Change on Cylinder Block Set etc.,**

Item No.	Description	Type 1	Type 2	Type 3	Type 4	Type 5	Type 6	
49	Cylinder Block Set	5921005001 (N/L/A)	5921005002 (N/L/A)	5921005003 (N/A)	5921005004 (N/L/A)	5921024000		
50	Ball (Old)	5921501200 (N/L/A)	-----					
209	Check Valve (Added)	-----	5921501800					
156	Separator Plate	5923503300 (N/L/A)	5933501600					
211	Separator Gasket (Added)	-----	5923503500					
151	Cleaner Plate	5923004002 (or 5923004001)	5923004003	5933001000				
152	Air Cleaner Plate Com.	5923006001 (or 5923006000)	5923006002	5933005000				
158	Air Cleaner Element	5923503200			5933501200			
164	Air Cleaner Cover	5923502700			5933500800			
208	Pipe	5923503900 (N/L/A)			-----			
212	Air Cleaner Element	-----			5933500900			
210	Screw Assy (Added)	-----	0043605100			0119059780		
100	Rocker Arm Assy	5923002000			5933002000			
101	Roker Shaft	5923501101			5933500100			
122	Pump Body Assy	5926002060			5926002140			
214	Clamp (Added)	-----			5926501300			
215	Hose Clamp (Added)	-----			0561059970			
140	Insulator Complete	5923005002 (or 5923005000 / 5923005001)				5923016000		
141	Nut M5 (Old)	002-17050-00 (or 0170059980)				-----		
142	Nut M6 (Old)	002-27060-00				-----		
143	Nut M6 (Old)	002-27060-00				-----		
144	Insulator Gasket	5923501801			5923504700			
146	Carburetor Insulator (Old)	5923502000			-----			
190	Grommet (Old)	5257500300			-----			
217	Intake Pipe (Added)	-----			5923504600			
218	O Ring (Added)	-----			0062610101		213078-6	
Closing Information (T/ I#)		Y04088	Y04529, Y04269	Y05062	Y05305	Y05600		

Above parts are completely interchangeable as a set.

**2. Change on Cam Gear Assy**

Item No.	Description	Type 1	Type 2
72	Washer	5923503800 (N/L/A)	-----
96	Cam Gear Assy	5923007000 (N/L/A)	5933003000

Above parts are completely interchangeable as a se (T/I# Y04257)

**3. Change on Fuel Tank Cap Assy and Strap Unit**

Item No.	Description	Type 1	Type 2
178	Fuel Tank Cap Assy	5926006001 (N/L/A)	5926012000
179	Strap Unit	5926005000 (N/L/A)	5256067000

Above parts are completely interchangeable as a se (T/I# Y04044)

**4. Change on Carburetor and Jet**

Item No.	Description	Type 1	Type 2
120	Carburetor	5926008000	5926009000
129	Jet	5926002030	5196002020

Above parts are completely interchangeable as a se (T/I# Y04659)

**SERVICE CHANGES:****5. Change on Handle Complete**

<b>Item No.</b>	<b>Description</b>	<b>Type 1</b>	<b>Type 2</b>	<b>Type 3</b>
A06	Handle Complete	6214014000 (N/L/A)	6214014001 (N/L/A)	6214016000
12	Loop Handle	6274004010		-----
13	Guard Stay	6214014010		-----
14	Loop Handle Bar / Handle Holder	6274004020		6214016020
15	Socket Head Bolt / Screw	6274004040	6274004041	6214016030
213	Nut M5	-----		002-27050-00
A03	Tool Set	6249006000		6249000000

(T/I# Y04281, Y04526)